

Driver Specification Sheet

Model No.: SDS-160F25PR01-08

Rev: 1

Product Line: Tymphany

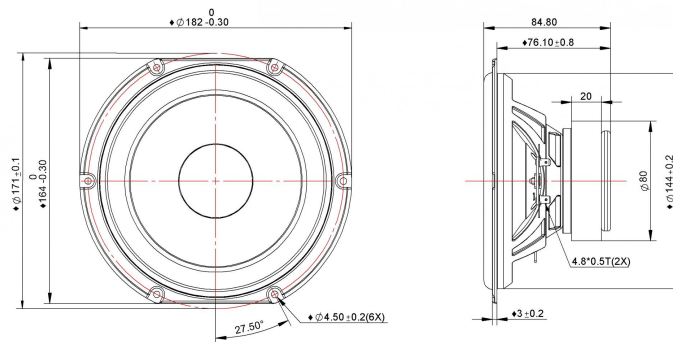
Last Update: 2017-04-25 21:32:09

Product Description

The SDS compact subwoofer family offers low resonant frequency performance, ideally suited for compact sealed enclosures. This 6.5 inch 8 ohm member of the SDS family offer a paper cone with rubber surround, a high power voice coil suspended in a ferrite magnet motor, and a narrow-profile steel basket shaped to fit into narrow cabinets.



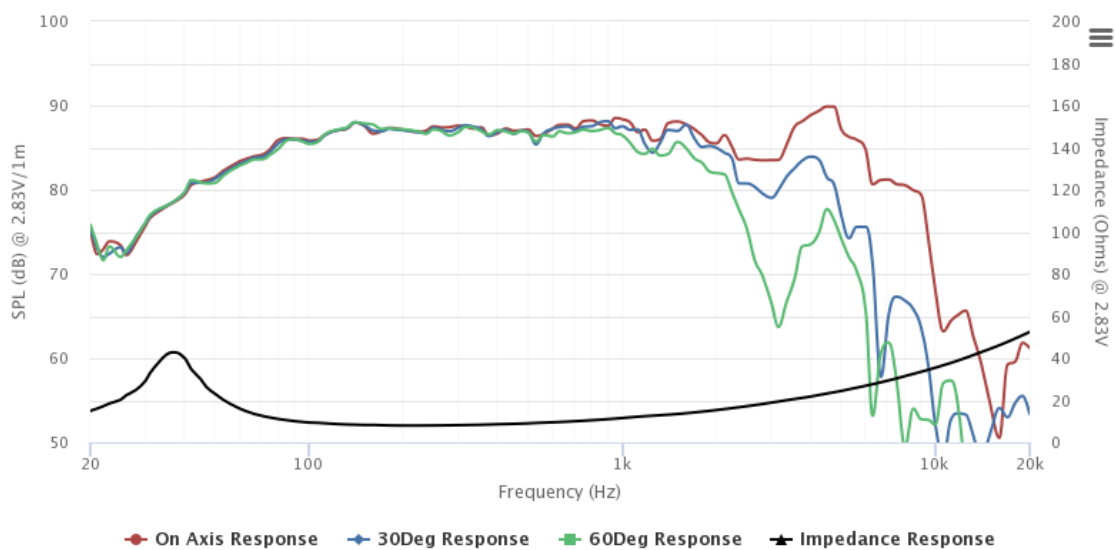
Mechanical Drawing



Specifications

DC Resistance	Revc	Ohms	7.12	5.0%	Energy Bandwidth Product	EBP	(1/Qes)*fs	
Minimum Impedance	Zmin	Ohms	7.98	7.5%	Moving Mass	Mms	g	13.7
Voice Coil Inductance	Le	mH	0.41		Suspension Compliance	Cms	um/N	1058.3
Resonant Frequency	Fs	Hz	41.76	15%	Effective Cone diameter	D	cm	13.4
Mechanical Q Factor	Qms		2.97		Effective Piston Area	Sd	cm^2	141
Electrical Q Factor	Qes	0.58			Effective Volume	Vas	L	29.56
Total Q Factor	Qts	0.49			Motor Force Factor	BL	Tm	6.64
Ratio Fs/Qts	F	Fs/Qts	85.76		Motor Efficiency Factor	β	(T*M^2)/Ohms	6.2
Half Space Sensitivity @2.83V	db@2.83V/1M	dB	87.04	+/- 1.0db	Voice coil former Material	VCfm		ASV
Half Space Sensitivity @1W/1M	db@1W/1M	dB	87	+/- 1.0db	Voice coil inner diameter	VCd	mm	25.73
Gap Height	Gh	mm	6		Rated Noise Power	P	W	60
Maximum Linear Excursion	Xmax	mm	6.1		Test Spectrum Bandwidth		35Hz - 20kHz	
Ferrofluid Type	FF				Driver Size	Inch	6 in	
Driver Mass	Kg	1.04						

Frequency and Impedance Response



Highcharts.com