

Model No.: NE123W-08  
 Product Line: Tymphany

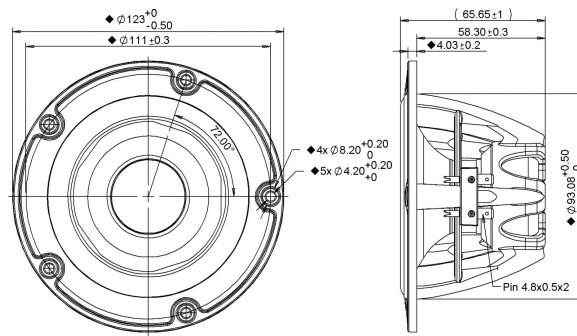
Rev: 1  
 Last Update: 2017-03-03 09:00:02

## Product Description

This 4 inch 8 ohm member of the NE family has leading-edge transducer technology packaged in a cutting edge, stylistic design. The woofers in this family feature an innovative cast aluminium basket design which minimizes acoustic reflections inside the driver, through large basket windows and sculpted basket spokes. The basket also is designed to act as a highly coupled heat sink to the Neodymium-Iron-Boron magnet (NdFeB) motor, so as to improve power handling capacity. The cone and dust cap are constructed of natural wood fiber material with proprietary coating formulas and processes, so as to yield high clarity products. The cone designs also utilize pentacone technology for improved frequency response. The voice coil bobbin is titanium, for improved performance. The FEA-designed motor features copper caps to minimize inductance and extend performance to high frequencies. Rounding out the design is a 4-way terminal block connector, for ease of electrical connection.



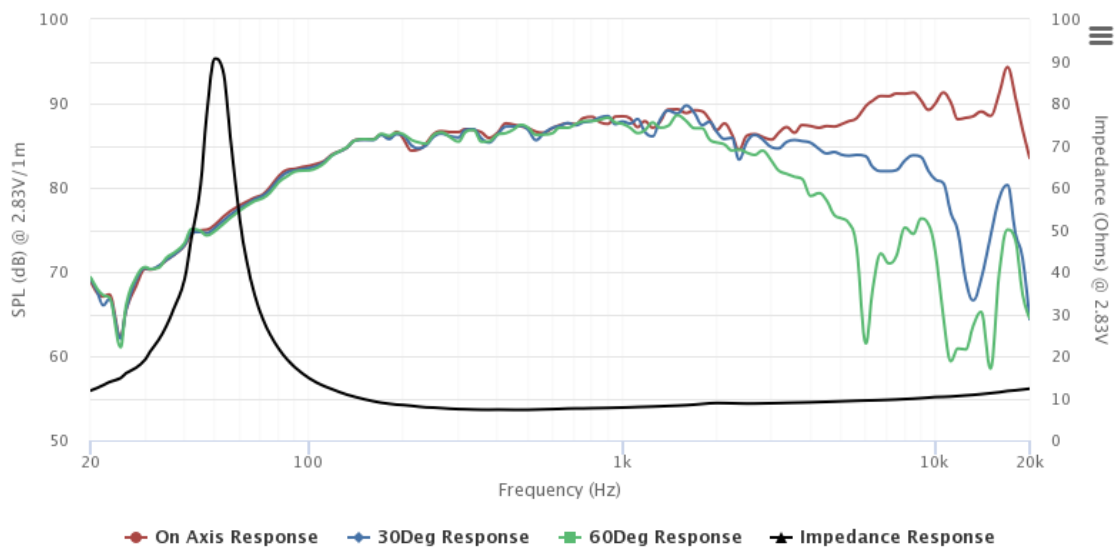
## Mechanical Drawing



## Specifications

DC Resistance	Revc	Ohms	6.27	5.0%	Energy Bandwidth Product	EBP	(1/Qes)*fs	
Minimum Impedance	Zmin	Ohms	7.26	7.5%	Moving Mass	Mms	g	4.7
Voice Coil Inductance	Le	mH	0.06		Suspension Compliance	Cms	um/N	1433.2
Resonant Frequency	Fs	Hz	61.03	15%	Effective Cone diameter	D	cm	8.3
Mechanical Q Factor	Qms		4.98		Effective Piston Area	Sd	cm^2	54.1
Electrical Q Factor	Qes		0.37		Effective Volume	Vas	L	5.89
Total Q Factor	Qts		0.35		Motor Force Factor	BL	Tm	5.53
Ratio Fs/Qts	F	Fs/Qts	175.89		Motor Efficiency Factor	$\beta$	(T*M^2)/Ohms	4.9
Half Space Sensitivity @2.83V	db@2.83V/1M	dB	87.23	+/- 1.0db	Voice coil former Material	VCfm	TiSV	
Half Space Sensitivity @1W/1M	db@1W/1M	dB	86.8	+/- 1.0db	Voice coil inner diameter	VCd	mm	32.41
Gap Height	Gh	mm	4		Rated Noise Power	P	W	45
Maximum Linear Excursion	Xmax	mm	14.2		Test Spectrum Bandwidth		60Hz - 8kHz	
Ferrofluid Type	FF				Driver Size	Inch	4 in	
Driver Mass	Kg		0.41					

## Frequency and Impedance Response



Highcharts.com