

Model No.: BC25TG15-08
 Product Line: Tymphany

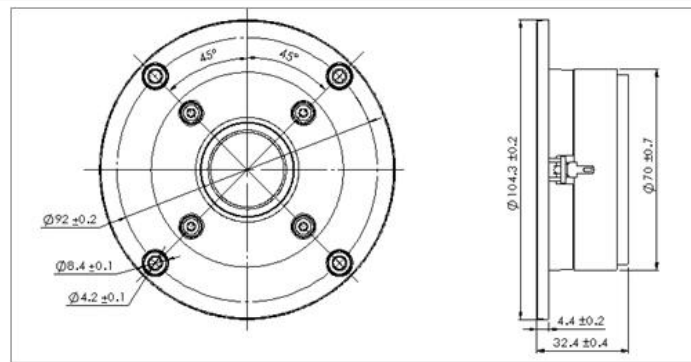
Rev: 1
 Last Update: 2017-04-25 14:32:09

Product Description

This BC family tweeter features a 8 ohm 25 mm voice coil, a damped fabric dome for smooth frequency response performance, and ferrofluid in the gap of the ferrite motor, providing enhanced cooling of the voice coil. The tweeter comes with a compact faceplate with recessed mounting holes, complete with sealing gasket which helps in reducing vibration between baffle and driver.



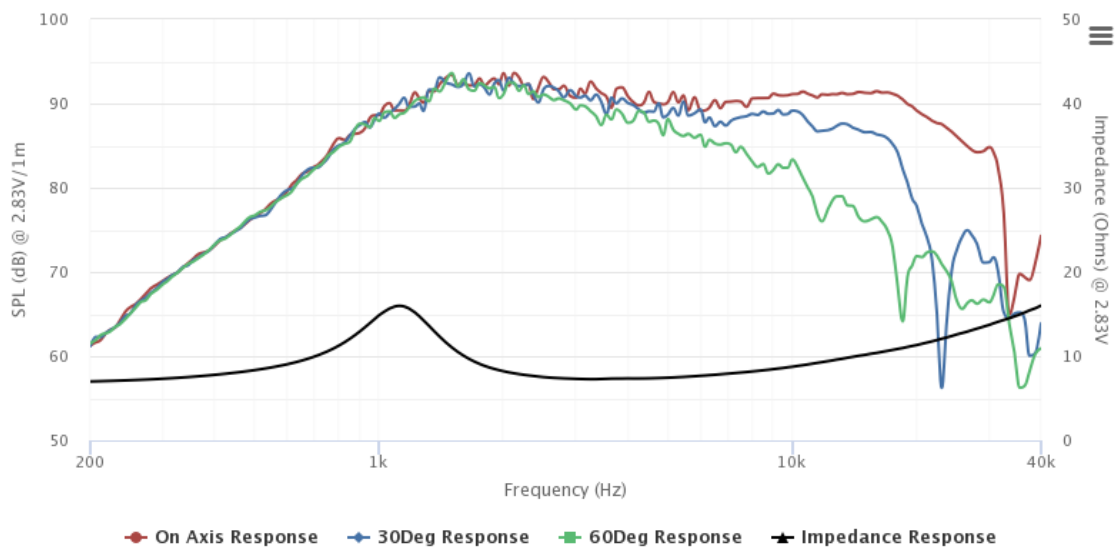
Mechanical Drawing



Specifications

DC Resistance	Revc	Ohms	6.53	5.0%	Energy Bandwidth Product	EBP	(1/Qes)*fs	720.15
Minimum Impedance	Zmin	Ohms	7.27	7.5%	Moving Mass	Mms	g	0.4
Voice Coil Inductance	Le	mH	0.04		Suspension Compliance	Cms	um/N	55
Resonant Frequency	Fs	Hz	1136.9	15%	Effective Cone diameter	D	cm	2.8
Mechanical Q Factor	Qms		2.21		Effective Piston Area	Sd	cm ²	6.2
Electrical Q Factor	Qes	1.58			Effective Volume	Vas	L	0
Total Q Factor	Qts	0.92			Motor Force Factor	BL	Tm	3.24
Ratio Fs/Qts	F	Fs/Qts	1233.08		Motor Efficiency Factor	β	(T ² M ²)/Ohms	1.6
Half Space Sensitivity @2.83V	db@2.83V/1M	dB	91.71	+/- 1.0db	Voice coil former Material	VCfm		ASV
Half Space Sensitivity @1W/1M	db@1W/1M	dB	91.3	+/- 1.0db	Voice coil inner diameter	VCd	mm	25.4
Gap Height	Gh	mm	3		Rated Noise Power	P	W	100
Maximum Linear Excursion	Xmax	mm	0.5		Test Spectrum Bandwidth		1KHz-20KHz	
Ferrofluid Type	FF		APG027N		Driver Size		Inch	1 Inch
Driver Mass	Kg	0.52						

Frequency and Impedance Response



Highcharts.com