

Model No.: XT25TG30-04  
 Product Line: Tymphany

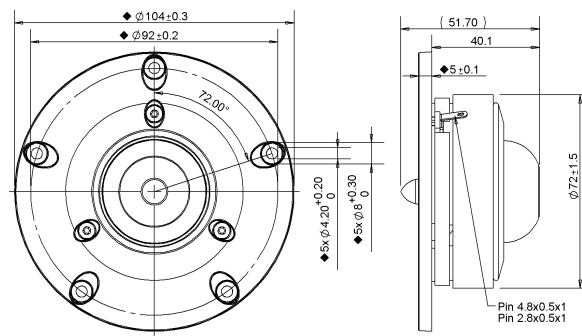
Rev: 1  
 Last Update: 2017-04-25 14:32:09

## Product Description

This member of the XT tweeter family utilizes two Tymphany technologies to deliver exceptional sound quality: the ring radiator patent, and the central waveguide patent. This model features a 4 ohm 25mm voice coil, mounted in a ferrite magnet motor. The tweeter also features a rear chamber to create extended low frequency response. The faceplate features recessed mounting holes which minimizes reflections off of mounting screws.



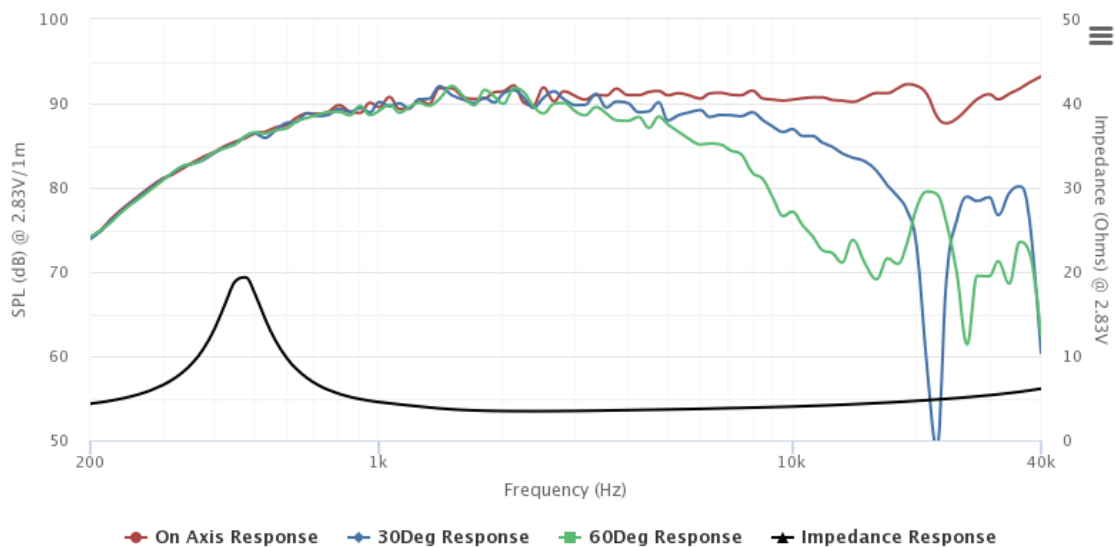
## Mechanical Drawing



## Specifications

DC Resistance	Revc	Ohms	3	5.0%	Energy Bandwidth Product	EBP	(1/Qes)*fs
Minimum Impedance	Zmin	Ohms	3.47	7.5%	Moving Mass	Mms	g
Voice Coil Inductance	Le	mH	0.01		Suspension Compliance	Cms	um/N
Resonant Frequency	Fs	Hz	436.13	15%	Effective Cone diameter	D	cm
Mechanical Q Factor	Qms		2.5		Effective Piston Area	Sd	cm <sup>2</sup>
Electrical Q Factor	Qes		0.54		Effective Volume	Vas	L
Total Q Factor	Qts		0.44		Motor Force Factor	BL	Tm
Ratio Fs/Qts	F	Fs/Qts	988.97		Motor Efficiency Factor	$\beta$	(T*M <sup>2</sup> )/Ohms
Half Space Sensitivity @2.83V	db@2.83V/1M	dB	90.84	+/- 1.0db	Voice coil former Material	VCfm	ASV
Half Space Sensitivity @1W/1M	db@1W/1M	dB	87.2	+/- 1.0db	Voice coil inner diameter	VCd	mm
Gap Height	Gh	mm	3		Rated Noise Power	P	W
Maximum Linear Excursion	Xmax	mm	0.5		Test Spectrum Bandwidth		400hz - 20khz
Ferrofluid Type	FF				Driver Size	Inch	25 mm
Driver Mass	Kg		0.5				

## Frequency and Impedance Response



Highcharts.com