

Model No.: TC9FD18-08

Product Line: Tymphany

Rev: 1

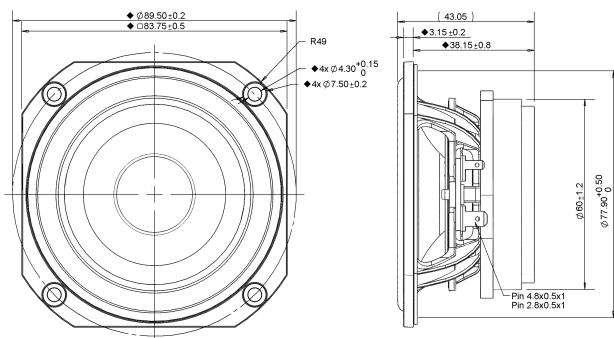
Last Update: 2017-04-25 14:32:09

Product Description

This TC family 3.5 inch 8 ohm full-range driver, with ferrite magnet, paper cone, rubber surround, and plastic basket with front sealing gasket, is designed to be a cost-effective high performance full range driver. The cone utilizes Tymphany-patented PentaCut NRSC cone technology to help dampen and control cone resonances, optimizing the listening experience. The motor contains a copper cap to lower inductance and distortion. The product was designed with portable and compact applications in mind.



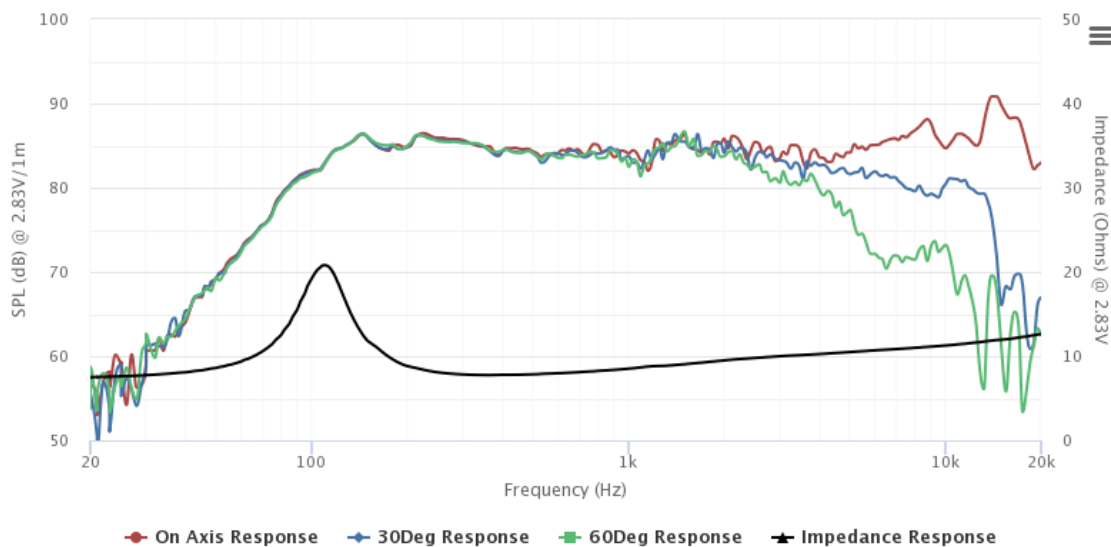
Mechanical Drawing



Specifications

DC Resistance	Revc	Ohms	6.32	5.0%	Energy Bandwidth Product	EBP	(1/Qes)*fs
Minimum Impedance	Zmin	Ohms	7.75	7.5%	Moving Mass	Mms	g
Voice Coil Inductance	Le	mH	0.05		Suspension Compliance	Cms	um/N
Resonant Frequency	Fs	Hz	124.86	15%	Effective Cone diameter	D	cm
Mechanical Q Factor	Qms		2.73		Effective Piston Area	Sd	cm ²
Electrical Q Factor	Qes		1.33		Effective Volume	Vas	L
Total Q Factor	Qts		0.89		Motor Force Factor	BL	Tm
Ratio Fs/Qts	F	Fs/Qts	139.82		Motor Efficiency Factor	β	(T*M ²)/Ohms
Half Space Sensitivity @2.83V	db@2.83V/1M	dB	84.56	+/- 1.0db	Voice coil former Material	VCfm	ASV
Half Space Sensitivity @1W/1M	db@1W/1M	dB	84.4	+/- 1.0db	Voice coil inner diameter	VCd	mm
Gap Height	Gh	mm	4		Rated Noise Power	P	W
Maximum Linear Excursion	Xmax	mm	2.6		Test Spectrum Bandwidth		100Hz-20KHz
Ferrofluid Type	FF				Driver Size	Inch	3.5 in
Driver Mass	Kg		0.3				

Frequency and Impedance Response



Highcharts.com