

Model No.: FSL-1220R02-08

Rev: 1

Product Line: Tymphany

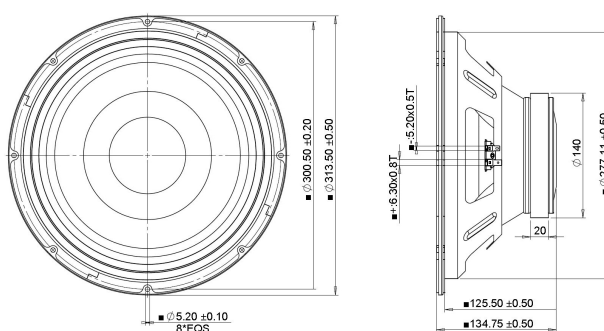
Last Update: 2017-04-25 14:32:09

Product Description

This 12 inch 8 ohm speaker features a FEA optimized ferrite magnet motor, a 2 inch high-temperature voice coil, the yoke with vent can cool magnet system, and a high strength stamped steel frame. The multi-roll surround and spider have been optimized to reduce distortion over the excursion range of this transducer.



Mechanical Drawing



Specifications

| | | | | | | | |
|-------------------------------|-------------|--------|--------|-----------|----------------------------|---------|--------------------------|
| DC Resistance | Revc | Ohms | 5.76 | 5.0% | Energy Bandwidth Product | EBP | (1/Qes)*fs |
| Minimum Impedance | Zmin | Ohms | 7.73 | 7.5% | Moving Mass | Mms | g |
| Voice Coil Inductance | Le | mH | 0.66 | | Suspension Compliance | Cms | um/N |
| Resonant Frequency | Fs | Hz | 66.97 | 15% | Effective Cone diameter | D | cm |
| Mechanical Q Factor | Qms | | 4.76 | | Effective Piston Area | Sd | cm ² |
| Electrical Q Factor | Qes | | 0.58 | | Effective Volume | Vas | L |
| Total Q Factor | Qts | | 0.51 | | Motor Force Factor | BL | Tm |
| Ratio Fs/Qts | F | Fs/Qts | 130.54 | | Motor Efficiency Factor | β | (T*M ²)/Ohms |
| Half Space Sensitivity @2.83V | db@2.83V/1M | dB | 96.28 | +/- 1.0db | Voice coil former Material | VCfm | KSV |
| Half Space Sensitivity @1W/1M | db@1W/1M | dB | 96.1 | +/- 1.0db | Voice coil inner diameter | VCd | mm |
| Gap Height | Gh | mm | 8 | | Rated Noise Power | P | W |
| Maximum Linear Excursion | Xmax | mm | 2.4 | | Test Spectrum Bandwidth | | 60Hz-600Hz |
| Ferrofluid Type | FF | | | | Driver Size | Inch | 12 in |
| Driver Mass | Kg | | 3.8 | | | | |

Frequency and Impedance Response



Highcharts.com